



Items Supplied >

- 2 - HEADPIPES & HEATSHIELDS
- 1 - COLLECTOR HEATSHIELD
- 1 - MUFFLER ASSEMBLY
- 5 - #24 HEATSHIELD CLAMPS
- 1 - #28 HEATSHIELD CLAMPS
- 2 - #27-61MSC MUFFLER CLAMP
- 2 - BOLT, HEX 5/16"-18 FLANGED WITH LOCK PATCH
- 1 - 3/8" X 1" CARRIAGE BOLT
- 1 - 3/8" NYLOCK NUT
- 1 - 3/8" FLAT WASHER
- 1 - STEEL PINCH CLAMP, 1/4 INCH FOR FRONT HEADPIPE
- 1 - PAINTED HEADPIPE SUPPORT BRACKET

Application(s) >

HARLEY:	
FLHR	2007 - 2008
FLHRS	2007 - 2008
FLHRC	2007 - 2008
FLHX	2007 - 2008
FLTR	2007 - 2008
FLHT	2007 - 2008
FLHTC	2007 - 2008
FLHTCU	2007 - 2008

Instruction Manual >

6431

Page 1 of 2

PRIOR TO INSTALLATION, MAKE SURE THE STOCK HEADPIPE GASKETS ARE IN GOOD CONDITION, IF THERE IS ANY DOUBTS ABOUT THEIR CONDITION REPLACE THEM.

Read all instructions carefully and completely before installing your new exhaust system.

1. Remove both left and right saddlebags, the right side floorboard from the frame and set all parts aside.
2. Unplug O₂ sensors on front and rear headpipes from motorcycle wire harnesses.
3. Remove the stock exhaust system.
4. Remove the rear headpipe support-mounting bracket by removing the two starter mounting bolts, then reinstall the bolts and tighten to factory specifications. Make sure the battery ground cable is properly routed and secure against the frame bulkhead. Remove the sliding hanger from the rubber bushing on the **left** rear muffler mount.
5. Place your motorcycle on the sidestand. Remove the front headpipe support bracket by removing two, 5/16" Allen bolts, see Figure 1. Locate the supplied Cobra bracket, similar in shape to the stock one, and mount it in place of the removed bracket using the stock bolts, see Figure 1.
6. Remove the exhaust flanges, retaining rings and O₂ sensors from the stock headpipes.
7. Remove front and rear headpipe from box and install stock flanges, retaining rings and O₂ sensors onto pipes.
8. Slide the supplied tube clamp over the front headpipe making sure the clamps square hole is on top and to the inside.
9. Install the front and rear headpipes on the motorcycle but do not tighten. Make sure the pipes are parallel with each other.
10. Slide the tube clamp over the headpipe support bracket installed in Step 5 capturing the mount on both sides, see Figure 2. Insert the supplied 3/8 carriage head bolt from top to bottom through the clamp, washer and into the locknut but **DO NOT TIGHTEN** at this time.
11. Remove the muffler assembly from the box and slide two supplied clamps #27-61MSC onto each muffler tube. Refer to Figure 4 for proper alignment.
12. Slide the muffler assembly onto the head pipes by tapping on the head pipes with your hand as you push the mufflers forward making sure the assembly slides as far forward as possible. Secure the muffler assembly to the stock-sliding hanger on the frame using the supplied 5/16-18 bolts but **DO NOT TIGHTEN**, see Figure 3.
13. Make sure the muffler assembly is properly aligned then tighten the following in order, muffler bracket to the frame, muffler assembly to the muffler bracket, head pipe flanges to the motor (slowly tighten opposing nut) and muffler clamps. (NOTE: If the muffler clamps are slid to far up the muffler or past the three slots, the clamps will not tighten properly.) Reconnect the O₂ sensors back into the wire harnesses.
14. Unscrew the remaining hose clamps and feed the tail end of the clamp through the clips on the inside of the heatshields. The screw end of the hose clamp should be accessible for tightening but not visible when the heatshields are mounted to the pipes. (Hint: Spread the hose clamps apart slightly to make it easier to slide them over the muffler assembly and headpipes.)

DISCLAIMER: NOT LEGAL FOR SALE OR USE IN CALIFORNIA ON ANY POLLUTION CONTROLLED MOTOR VEHICLE. THE SALE, USE, OR INSTALLATION OF THIS PRODUCT MAY ALSO BE ILLEGAL NATIONWIDE UNDER THE FEDERAL CLEAN AIR ACT (42 U.S.C.§ 7522(A)(3)).

15. Place the heatshields on the headpipes and align at collector but **DO NOT TIGHTEN** at this time. Feed the tail end of the #28 hose clamp through the collector heatshield and snap into place over the megaphone and heat shields (See figure 5). Tighten all clamps.
16. Reinstall the right floorboard assembly with its original hardware and tighten to factory specs.
17. Make sure all the hardware has been tightened appropriately and cleaned before starting your motorcycle (brackets, headpipes, heatshields, mufflers and baffles).
18. Reinstall the saddlebags.

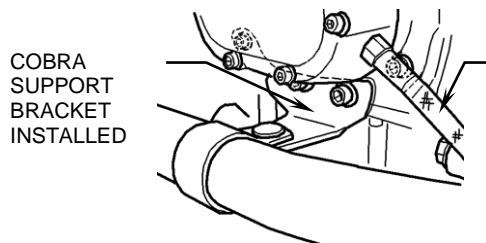


FIGURE 1

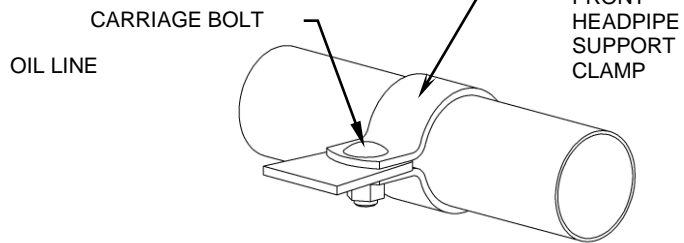


FIGURE 2

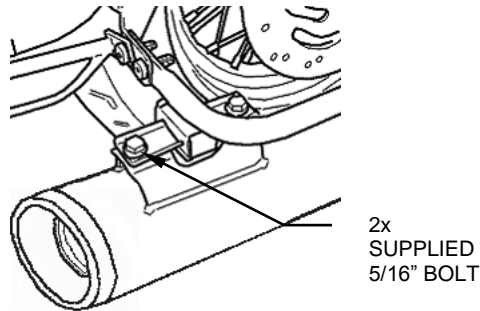
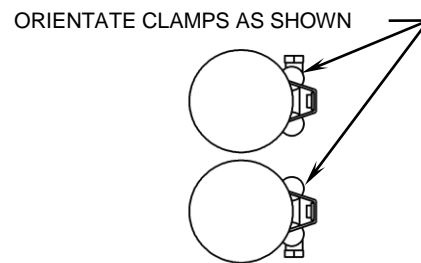


FIGURE 3



FRONT VIEW
FIGURE 4

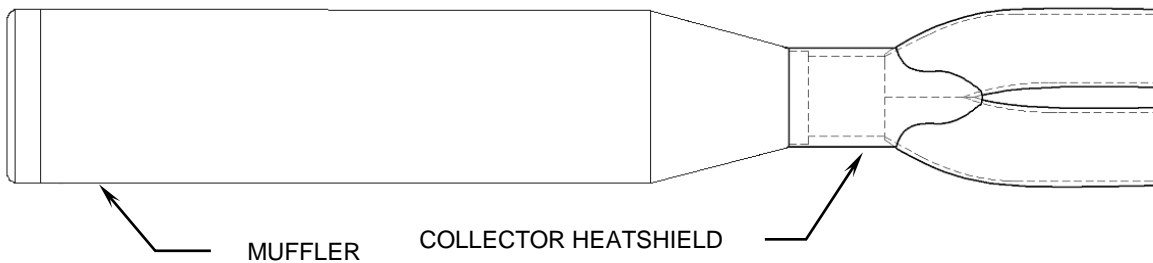


FIGURE 5

Before starting your engine remove all fingerprints from chrome with a quality wax or chrome polish. Failure to do so can cause discoloration. Due to fluctuations in fuel injection/carburetion settings, timing, etc., Cobra Engineering does not warrant against chrome discoloration.