

## Items Supplied

1 - DETACHABLE BIG RACK

## Application(s) >

HARLEY: \_\_\_\_\_  
DRESSER 1997-2008  
-MAY HAVE INTERFERENCE  
WITH REAR MOUNTED ANTENNAS  
-MAY HAVE INTERFERENCE WITH EU  
REGISTRATION PLATES

## Instruction Manual >

602-2601 / 602-2601B

Page 1 of 2

### Read all instructions carefully and completely before installing your new Rack!

**NOTE:** See **FIGURE 1**. This Cobra detachable rack **must** be installed after the Cobra rear mounting kit (P/N 602-2103) or the Harley-Davidson rear mounting kit (P/N 53804-06). Compatible with Cobra Detachable Backrest (P/N 602-2012 or 602-2212).

### INITIAL INSTALLATION PROCEDURE

1. Check the fitment of the detachable rack on the bike, attaching it by following steps #2-4 below. All of the front and rear slots (indicated in **FIGURE 1**) of the rack should fully engage with both the rear and front plastic mounting bushings (as indicated in **FIGURE 2**) of the rear docking kit on both sides of the bike. If any do not, loosen any hardware necessary in order to adjust the locations for the mounting bushings for the front docking kit until they do. **Re-torque** any loosened hardware to their specified torques, then detach the rack from the bike.

### DETACHABLE RACK ATTACHING PROCEDURE

2. Slide the front slots (indicated in **FIGURE 1**) of the rack into the front mounting bushing of the rear mounting kit (indicated in **FIGURE 2**). Make sure to insert the front slots all the way onto the bushings.
3. Slowly rotate the rack downward until the rear slots (indicated in **FIGURE 1**) slip over the rear mounting bushings (as indicated in **FIGURE 2**).
4. See **FIGURE 2**. Pull backward on both detachable latch knobs and then push downward on the rack to allow the rack's slots to sit completely in both the front and rear mounting bushings. Then release the detachable latch knob to fully engage the latch pin underneath the rear mounting kit bushing.
5. Before each ride, ensure that the detachable latches are fully engaged underneath the rear mounting bushings (as indicated in **FIGURE 2**).
6. Check the tightness of all the screws before and after the first ride, and after the first 500 miles.

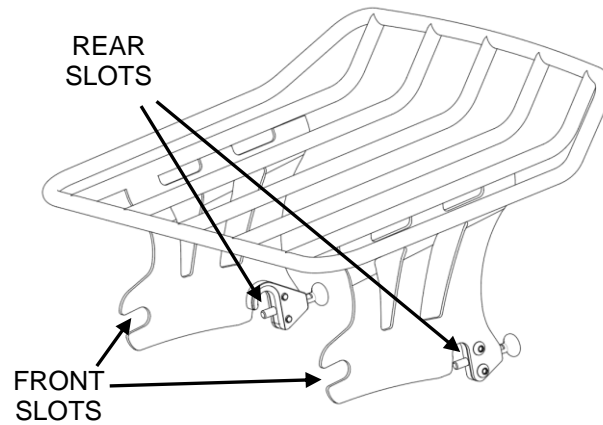


FIGURE 1

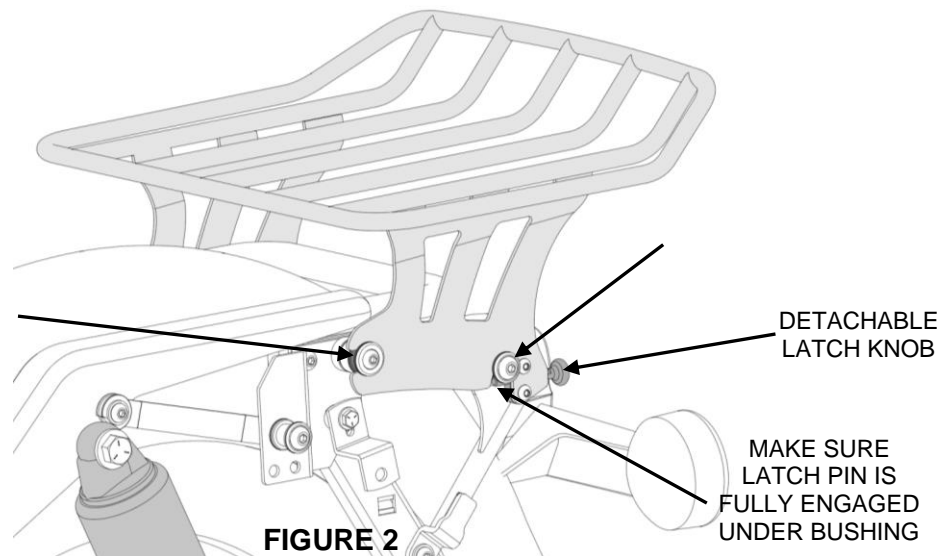


FIGURE 2

**DO NOT EXCEED THE MAXIMUM WEIGHT OF THE RACK  
MAX WEIGHT CAPACITY OF RACK = 10 POUNDS.**

**DISCLAIMER:** It is recommended to install an aftermarket shorty antenna (10" or less) or a HD antenna relocation kit in order to avoid interference with the luggage rack.

To clean your black accessory, use a liquid based soap detergent, such as dishwashing soap applied with a soft cloth and rinse with clean water. Note: Avoid abrasive cleaning methods such as granular or dry cleansers, simple green, Scotch-Brite or steel wool pads. Abrasives may breach the coating and shorten life.