

Items Supplied >

2 – FRONT & REAR EXHAUST HEADPIPE
2 – FRONT & REAR EXHAUST HEATSHIELD
1 – COLLECTOR HEATSHIELD
1 – MUFFLER
1 – EXHAUST BRACKET
5 – CLAMPS, HEATSHIELDS
2 – CLAMPS, HEADPIPES
1 – CLAMP, MUFFLER
2 – BOLT, HEX 5/16-18 x .63

Application(s) >

Suzuki C90 05-09

Instruction Manual >

3420/3470

Page 1 of 2

PRIOR TO INSTALLATION, MAKE SURE YOUR STOCK HEADPIPE GASKETS ARE IN GOOD SHAPE. IF YOU HAVE ANY DOUBTS AS TO THEIR CONDITION, REPLACE THEM.

Read all instructions carefully and completely before installing your new exhaust system

1. Remove your stock exhaust system.
2. Place the supplied exhaust mount bracket onto the stock mounting point and bolt into place using the stock hardware but **DO NOT TIGHTEN** at this time.
3. Install the front and rear head pipes onto motorcycle using the supplied flanges and stock acorn nuts. Make sure pipes are parallel to each other.
4. Remove the muffler assembly from the box and slide one supplied clamp #27-61MSC onto each muffler tube. Refer to Figure 2 for proper alignment.
5. Slide the muffler assembly onto the head pipes by tapping on the head pipes with your hand as you push the mufflers forward making sure the assembly slides as far forward as possible. Secure the muffler assembly to the mounting bracket using the supplied 5/16-18 bolts but **DO NOT TIGHTEN** at this time.
6. Make sure the muffler assembly is properly aligned then tighten the following in order, muffler bracket to the frame, muffler assembly to the muffler bracket, head pipe flanges to the motor (slowly tighten opposing nut) and muffler clamps. (NOTE: If the muffler clamps are slid to far up the muffler or past the three slots, the clamps will not tighten.)
7. Unscrew the remaining hose clamps and feed the tail end of the clamp through the clips on the inside of the heat shields. The screw end of the hose clamp should be accessible for tightening but not visible when the heat shields are mounted to the pipes.
8. Place the heatshields on the headpipes and align at collector. **DO NOT TIGHTEN** at this time. Feed the tail end of the #28 hose clamp thru the collector heat shield and snap into place over the megaphone and heat shields (See figure 3). Tighten all clamps.
9. Make sure all the hardware (brackets, headpipes, heatshields, and mufflers) has been tightened appropriately before starting your motorcycle.

*** Cobra® recommends you always wear a helmet while riding. Please never operate your motorcycle while under the influence of alcohol and/or drugs. Enjoy the new look of your motorcycle and please ride safely.**

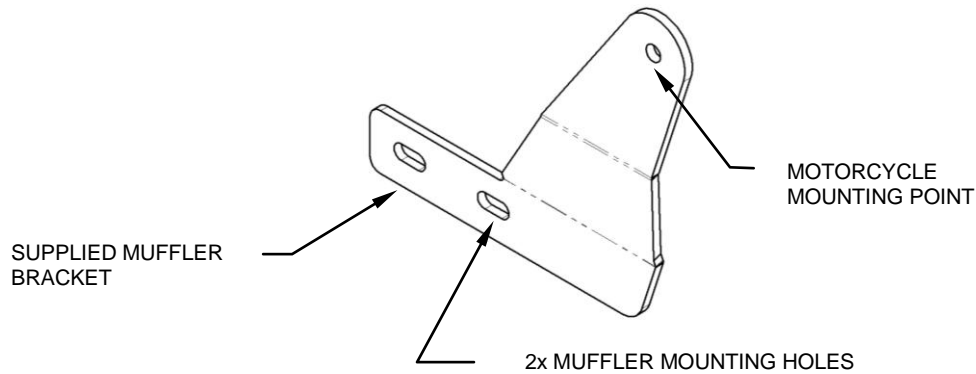


FIGURE 1

ORIENTATE CLAMPS AS SHOWN

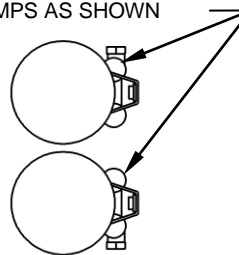


FIGURE 2

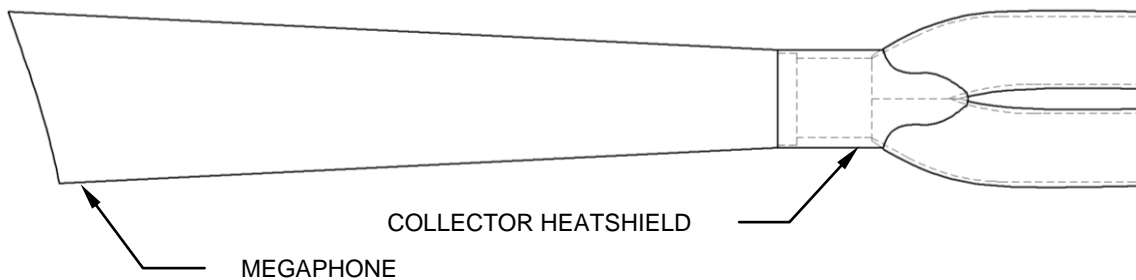


FIGURE 3

IMPORTANT: It is recommended that you install a Cobra Fi2000® Digital Fuel Processor with your Cobra exhaust system. Cobra is not responsible for the performance of any other fuel management system used with Cobra exhaust systems. **Suzuki C90 Fi2000 (part# 92-0840)**

Before starting your engine remove all fingerprints from chrome with a quality wax or chrome polish. Failure to do so can cause discoloration. Due to fluctuations in fuel injection/carburetion settings, timing, etc., Cobra Engineering does not warrant against chrome discoloration.

California does not allow the use of aftermarket exhaust systems that remove original equipment catalyts, (except for racing use only) unless the Air Resources Board has issued an Executive Order for that system.