

Items Supplied >

- 2 – FRONT & REAR EXHAUST HEADPIPE
- 2 – FRONT & REAR EXHAUST HEATSHIELD
- 1 – MUFFLER ASSEMBLY
- 1 – EXHAUST BRACKET
- 4 – CLAMPS, HEATSHIELDS
- 2 – CLAMPS, HEADPIPES
- 2 – CLAMP, MUFFLER
- 2 – BOLT, HEX 5/16-18 x .63
- 2 – SCREW, BUTTON ¼-20 x .38
- 2 – BILLET MUFFLER TIPS

Application(s) >

Honda Aero 750 04-07

Instruction Manual >

1913

Page 1 of 2

PRIOR TO INSTALLATION, MAKE SURE YOUR STOCK HEADPIPE GASKETS ARE IN GOOD SHAPE. IF YOU HAVE ANY DOUBTS AS TO THEIR CONDITION, REPLACE THEM.

Read all instructions carefully and completely before installing your new exhaust system

1. Remove stock exhaust system but do not remove your large muffler mount.
2. Loosen and move the right side floorboard out of the way to ease installation of the exhaust.
3. Remove the exhaust mount bracket from the box and mount it to the motorcycle mount bar using the stock bolts and nuts but **DO NOT TIGHTEN** at this time. (See figure 1)
4. Install the front and rear head pipes onto motorcycle using the stock acorn nuts but **do not tighten**.
5. Slide one supplied clamp onto each muffler and position as shown in figure 2.
6. Slide the muffler assembly onto the head pipes. Secure the muffler assembly to the mounting bracket using the supplied 5/16-18 bolts but **DO NOT TIGHTEN** at this time. **Note:** Position the bolts in the middle of the slots on the mount bracket.
7. Make sure the muffler assembly is parallel to the ground then tighten the following in order, muffler bracket to the frame, muffler assembly to the muffler bracket, head pipe flanges to the motor (slowly tighten opposing nut) and muffler clamps. (NOTE: If the muffler clamps are slid to far up the muffler or past the three slots, the clamps will not tighten.)
8. Unscrew the remaining hose clamps and feed the tail end of the clamp through the clips on the inside of the heat shields. The screw end of the hose clamp should be accessible for tightening but not visible when the heat shields are mounted to the pipes.
9. To install the front heatshield, first slide the rear portion of the heatshield over the muffler, continue to slowly slide it forward pushing the front of the shield gently into place between the frame and motor (Hint: Spread the hose clamps apart slightly to make it easier to slide them over the muffler assembly and head pipes). Make sure the muffler clamps don't interfere with the heatshields and are aligned as shown in figure 2. Snug the heatshield clamps but **do not tighten**.
10. Install the rear heatshield the same way as the front heatshield.
11. Install one billet tip on each heatshield making sure the angled ends of the tips are parallel with each other. Fasten the tips with the supplied ¼-20 screws making sure they snug up against the heatshield leaving no gap between the tip and heatshield when tightened. **If it is difficult to slide the tips into the heatshields loosen the clamps on the heatshield, failure to do this may cause damage to the chrome tips.**
12. Tighten clamps on heatshields.
13. Reinstall the right side floorboard and tighten bolts to factory specifications.
14. Make sure all hardware is tight before starting your motorcycle.

** Cobra recommends you always wear a helmet while riding. Please never operate your motorcycle while under the influence of alcohol and/or drugs. Enjoy the new look of your motorcycle and please ride safely.*

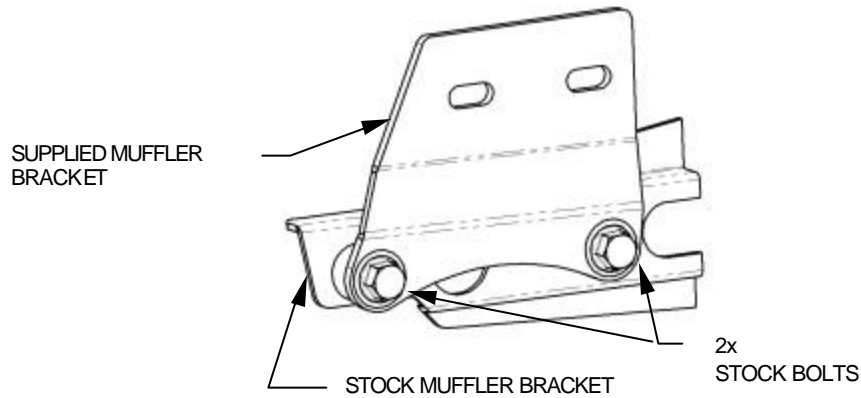


FIGURE 1

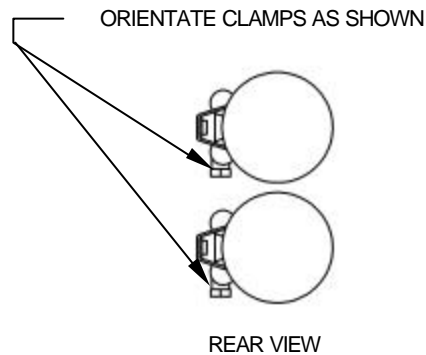


FIGURE 2

IMPORTANT: It is recommended that you re-jet your bike with a Cobra Jet Kit, available from Cobra part #92-1263.

Before starting your engine remove all fingerprints from chrome with a quality wax or chrome polish. Failure to do so can cause discoloration. Due to fluctuations in fuel injection/carburetion settings, timing, etc., Cobra Engineering does not warrant against chrome discoloration.