

## Items Supplied >

- 1 – SWINGARM COVER
- 2 – M6 BUTTON SCREWS

## Application(s) >

VTX1800C/R/S 02-UP

## Instruction Manual >

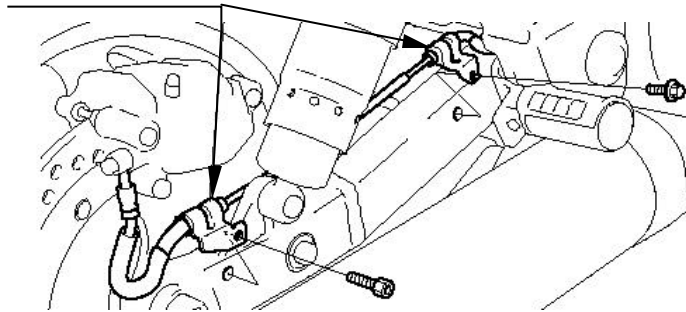
06-0652

Page 1 of 1

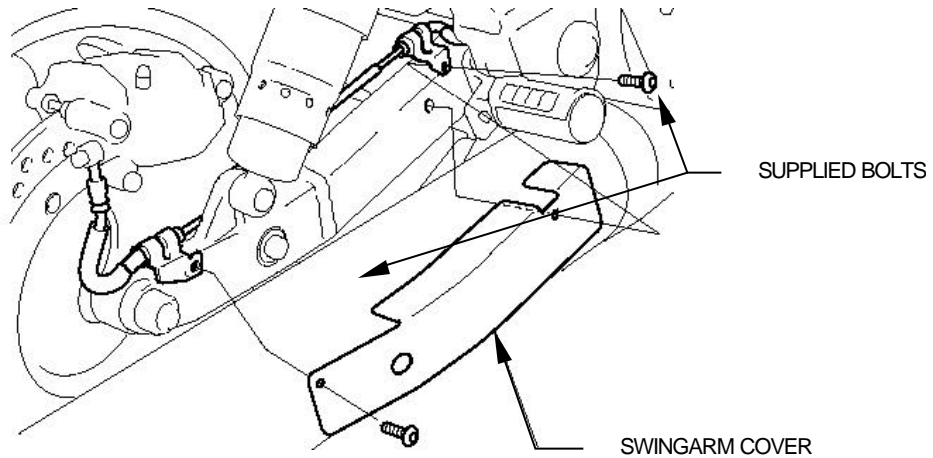
Your Swingarm Cover will install in minutes using common tools. Read instructions carefully and completely before installing your new Boulevard Products Swingarm Cover.

1. Remove the bolts fastening the rear brake hose clamps as shown.

REAR BRAKE  
HOSE CLAMPS



2. Install your new swingarm cover using the supplied M6 button screws making sure the brake hose clamps are positioned as shown.



\* Cobra recommends you always wear a helmet while riding. Please never operate your motorcycle while under the influence of alcohol and/or drugs. Enjoy the new look of your motorcycle and please ride safely.