

Items Supplied >

- 1 - INTAKE COVER W/ SCREEN / RING ASSEMBLY
- 1 - K&N® VENTURI AIR FILTER
- 1 - BILLET VELOCITY STACK
- 1 - MOUNTING PLATE
- 1 - SUPPORT BRACKET; 1 - FUEL INJECTION COVER
- 2 - BOLT, M5 X 16mm, ALLEN; 1 - BOLT, M5 X 30mm, ALLEN
- 1 - BOLT, M6 X 12mm, ALLEN
- 4 - BOLT, 1/4"-20 X 1/2", BUTTONHEAD
- 2 - BOLT, 1/4"-20 X 5/8", BUTTONHEAD
- 3 - WASHER, 1/4" INTERNAL TOOTH LOCK
- 1 - WASHER, M5 SPLIT LOCK
- 1 - O-RING, 1.25" I.D. X .125", BUNA-N (SMALL)
- 1 - O-RING, 3.25" I.D. X .125", BUNA-N (LARGE)

Application(s) >

YAMAHA BOLT 950

2013 - 2019

Instruction Manual >

06-0267-01B / 02B / 03B / 04B

Page 1 of 2

Read all instructions carefully and completely before installing your new POWRFLO™ Intake.

1. Remove the (4) bolts that hold on the stock air cleaner cover. Remove the cover and filter from air box.
2. Remove the air box by loosening the (3) M5 allen bolts around the air inlet and (1) M6 on the right side of the housing, Figure 1. Disconnect the hose from the backside of the air box and remove it, the screws will not be reused.
3. Insert the supplied o-rings into the grooves of the supplied velocity stack. NOTE: Do not attempt to stretch o-rings into grooves; position o-rings evenly around groove and use gentle force (No tools) to push them in.
4. Bolt the velocity stack to the throttle body using the (2) supplied M5 x 16mm allen bolts and the (1) supplied M5 x 30mm allen bolt w/ split lock washer. Fully tighten. See Figure 2.
5. Position the mounting plate over the velocity stack (with the welded tube toward inside) and secure using (3) supplied 1/4"-20 x 1/2" buttonhead bolts and (3) internal tooth lock washers, finger tighten only. See Figure 3.
6. Install the supplied support bracket on to the stock bracket protruding from the top of the front cylinder head, secure finger tight with the supplied M6 x 12mm buttonhead bolt. Align the support bracket hole with the corresponding hole in the backing plate. See Figure 3 & 4.
7. Fully tighten the (3) 1/4"-20 buttonhead bolts (Steps 5).

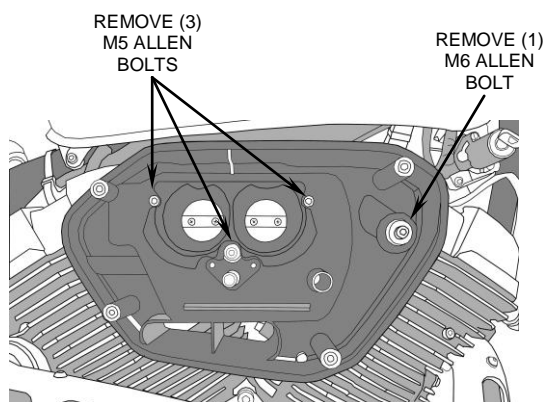


FIGURE 1

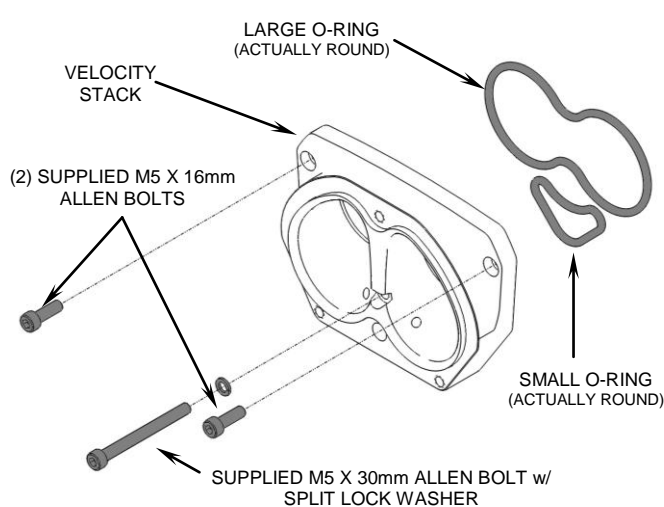
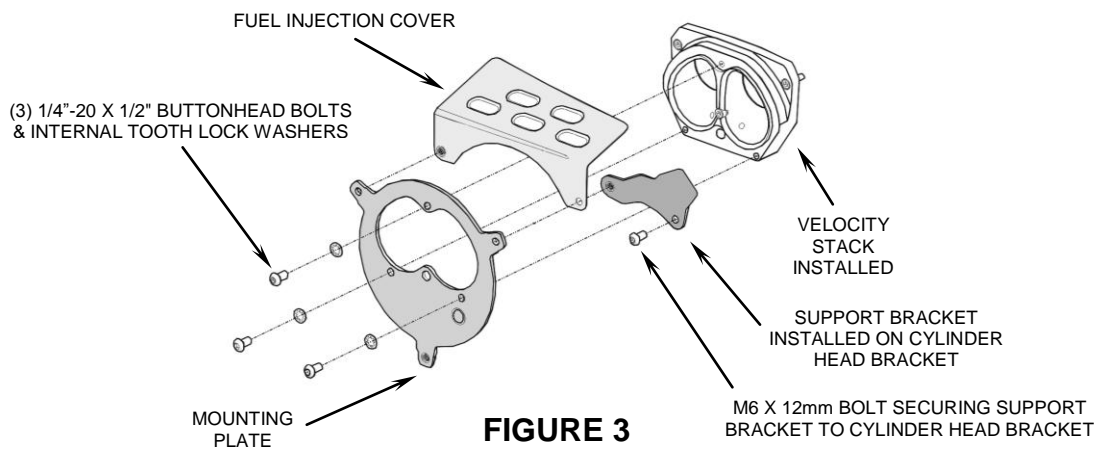


FIGURE 2

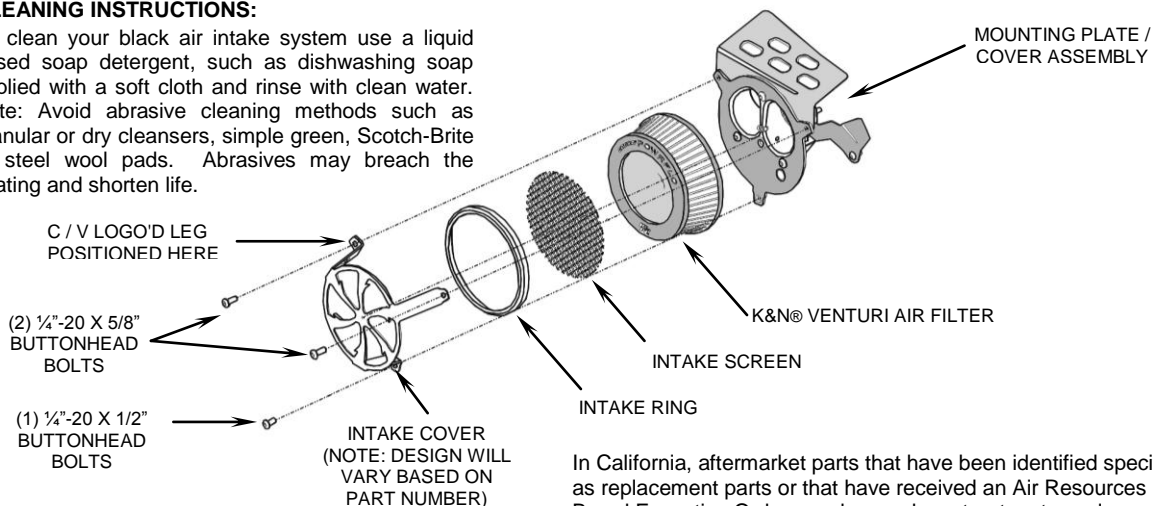
*** Cobra® recommends you always wear a helmet while riding. Please never operate your motorcycle while under the influence of alcohol and/or drugs. Enjoy the new look of your motorcycle and please ride safely.**

9. Install the fuel injection cover between the mounting plate and support bracket, as shown in Figure 3.
10. Insert the round intake screen into the black ring so the screen sits inside the edge of the ring. Place the ring and screen between the legs of the naked black intake cover as shown in Figure 4.
11. Place the naked intake cover, ring and screen assembled in Step 10, over the air filter and align each leg to the base mounting plate threaded holes. Be sure screen sits at a 45° angle to the bottom leg, and C/V logo'd leg is at the upper left position. Insert the (2) supplied 1/4"-20 x 5/8" buttonhead bolts through the upper legs of the intake cover and into the base mounting plate, fuel injection cover and support bracket. Insert (1) supplied 1/4"-20 x 5/8" buttonhead bolts through the upper lower leg of the intake cover and into the base mounting plate, see Figure 4. Double check all parts are aligned properly and tightened securely. Be sure M6 buttonhead bolt is fully tightened from the support bracket to engine head bracket.



CLEANING INSTRUCTIONS:

To clean your black air intake system use a liquid based soap detergent, such as dishwashing soap applied with a soft cloth and rinse with clean water. Note: Avoid abrasive cleaning methods such as granular or dry cleansers, simple green, Scotch-Brite or steel wool pads. Abrasives may breach the coating and shorten life.



In California, aftermarket parts that have been identified specifically as replacement parts or that have received an Air Resources Board Executive Order may be used on street motorcycles. All other emissions related aftermarket parts are for competition use only. A list of replacement parts and EO parts, and corresponding fitment is provided at: www.cobrausa.com