

Items Supplied >

- 1 – FREEWAY BAR
- 1 – BILLET CLAMP
- 2 – SPACERS
- 2 – M8 X 20mm BUTTONHEAD BOLT

Application >

HONDA REBEL 250 1996-2015

Instruction Manual >

01-1105

Page 1 of 2

Before installing your new Cobra® Freeway bar, read all instructions carefully.

1. Loosen but do not remove (2) M8 bolts/nuts on front lower motor mount. Remove M10 bolt/nut from motor mount/frame and set aside for later reinstallation. Remove and discard the spacers from between frame and motor mount.
2. Slide your new Cobra Freeway Bar between front fender and frame with lower mounting brackets facing to the rear. Insert M10 bolt (removed in Step 1) through the frame, freeway bar mount, motor mount and through the other side. This is just temporary to hold bar in upward position.
3. Place supplied billet clamp behind front frame tube and insert (2) supplied M8 bolts through freeway bar mount and into billet clamp. See Figure 1. **DO NOT TIGHTEN** at this time.
4. Remove M10 bolt inserted in Step 2 and place supplied black spacers between outer frame mounts and freeway bar mount brackets and re-insert bolt through assembly. Start M10 nut removed in Step 1. See Figure 1.
5. Make sure freeway bar is aligned properly and tighten M10 bolt/nut and (2) M8 clamp bolts. Tighten the M8 bolts/nuts loosened in Step 1 to factory specifications.

Cobra freeway bars add style to your motorcycle. They are not designed to withstand a serious impact and may not protect you and/or your motorcycle in the event of a crash.

** Cobra® recommends you always wear a helmet while riding. Please never operate your motorcycle while under the influence of alcohol and/or drugs. Enjoy the new look of your motorcycle and please ride safely.*

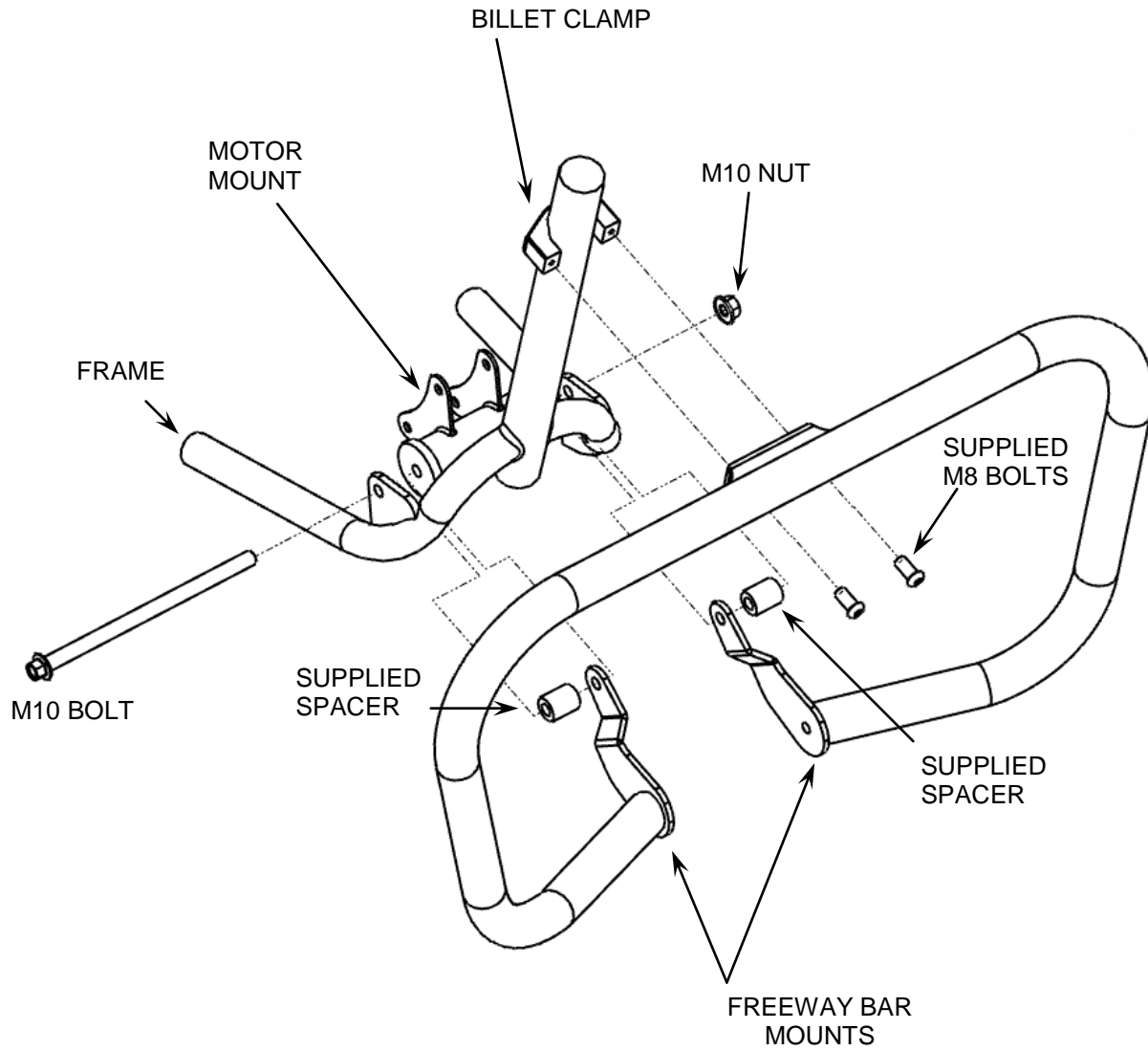


FIGURE 1