

Items Supplied >

- 1 – FRONT EXHAUST ASSEMBLY W/HEATSHIELD
- 1 – REAR EXHAUST ASSEMBLY W/HEATSHIELD
- 1 – EXHAUST BRACKET
- 1 – REGULATOR BRACKET
- 4 – CLAMP HS-24
- 2 – CLAMP HS-28
- 2 – BILLET EXHAUST TIPS
- 1 – BOLT, HEX 3/8 x 1.00
- 4 – BOLT, HEX 5/16-18 x 5/8
- 2 – SCREW, BUTTON 1/4-20 x 3/8
- 1 – M10 X 20mm BOLT
- 1 – M10 FLAT WASHER

Application(s) >

HONDA VTX1800 C/F/N/R/S 02-08

Instruction Manual >

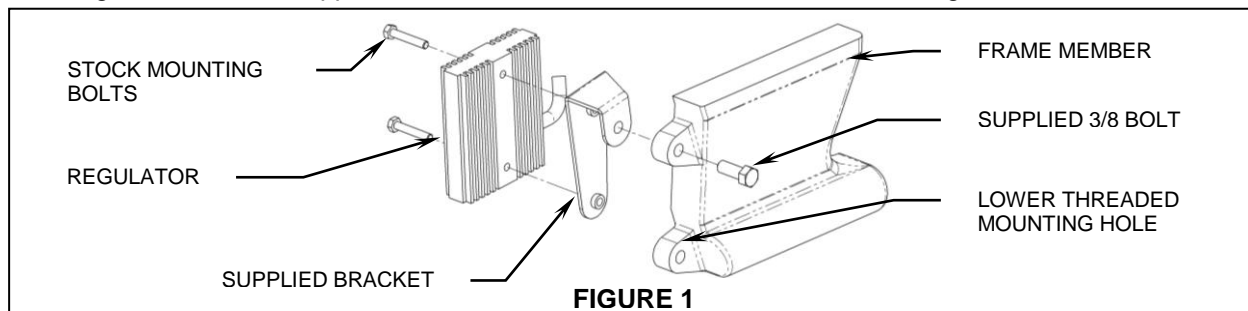
1625/1626

Page 1 of 2

PRIOR TO INSTALLATION, MAKE SURE YOUR STOCK HEADPIPE GASKETS ARE IN GOOD SHAPE. IF YOU HAVE ANY DOUBTS AS TO THEIR CONDITION, REPLACE THEM.

Read all instructions carefully and completely before installing your new exhaust system!

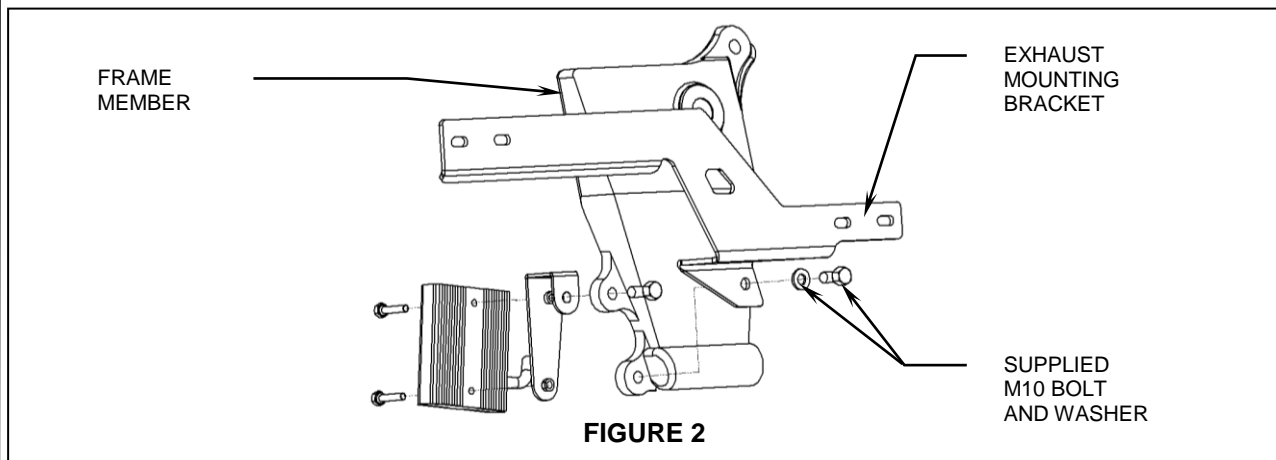
1. Remove stock exhaust system and large muffler bracket. Remove regulator from stock exhaust bracket but leave wiring harness connected. Mount regulator to supplied regulator bracket as shown in Figure 1. Use the supplied 3/8" x 1" bolt to secure to frame as shown in Figure 1.



2. Remove the exhaust-mounting bracket from the box. Line up bottom hole of mounting bracket with the threaded mounting hole on the frame, see Figure 2, and install supplied M10 fine thread bolt and M10 flat washer but **DO NOT TIGHTEN**. **Note:** Make sure 10mm bolt threads into frame prior to installation to avoid damage to threads.
3. Loosen the right front footpeg/ floorboard assembly to help provide installation clearance for the front head pipe (Note: on the VTX1800C/F models remove the rear brake reservoir from the frame. **DO NOT** disconnect the reservoir hose. Move the reservoir, still connected to the hose, aside for additional clearance.)
4. Install the front and rear pipes on to the motorcycle using the stock acorn nuts and supplied 5/16" flange bolts but **DO NOT TIGHTEN** at this time.
5. Make sure the front and rear exhaust assemblies are parallel to the ground then tighten the following in order, exhaust bracket to the frame, head pipe flanges to the motor (slowly tighten opposing nut), and exhaust assembly to the exhaust bracket.

*** Cobra® recommends you always wear a helmet while riding. Please never operate your motorcycle while under the influence of alcohol and/or drugs. Enjoy the new look of your motorcycle and please ride safely.**

6. On the heatshields unscrew the remaining hose clamps and feed the tail end of the clamp through the clips on the inside. The screw end of the hose clamp should be accessible for tightening but not visible when the heatshields are mounted to the pipes.
7. To install the front heatshield, first slide the rear portion of the heatshield over the muffler, continue to slowly slide it forward pushing the front of the shield gently into place between the frame and motor (Hint: Spread the hose clamps apart slightly to make it easier to slide them over the rear of the exhaust and head pipe area.) Snug the heatshield clamps but **DO NOT TIGHTEN**.
8. Install the rear heatshield the same way as the front heatshield.
9. Install one billet tip on each heatshield making sure the ends of the tips are parallel with each other. Fasten the tips with the supplied 1/4-20 screws making sure they snug up against the heatshield leaving no gap between the tip and heatshield when tightened. **If it is difficult to slide the tips into the heatshields loosen the clamps on the heatshield, failure to do this may cause damage to the chrome tips.**
10. Tighten the clamps on the heatshields making sure the ends of the shields are even.
11. Reinstall the right front footpeg/floorboard assembly and tighten bolts to factory specifications. If you removed the brake reservoir in step 3 reattach it with the stock hardware and tighten to factory specifications.
12. Make sure all the hardware (brackets, headpipes, heatshields, and tips) has been tightened appropriately before starting your motorcycle.



Note: If your motorcycle came equipped with an O2 sensor in the stock exhaust you will need to install a Cobra O2 sensor removal kit part number 92-1100.

Important: It is recommended that you install a Cobra Fi2000® Digital Fuel Processor with your Cobra exhaust system. Cobra is not responsible for the performance of any other fuel management system used with Cobra exhaust systems. **Fi2000 with OEM Style Connectors part #92-1650**

Before starting your engine remove all fingerprints from chrome with a quality wax or chrome polish. Failure to do so can cause discoloration. Due to fluctuations in carburetor settings, timing, etc., Cobra Engineering does not warrant against chrome discoloration.

California does not allow the use of aftermarket exhaust systems that remove original equipment catalyts, (except for racing use only) unless the Air Resources Board has issued an Executive Order for that system.