

Items Supplied >

- 2 – Swept Floorboards with Rubber
- 2 – Black Mounts
- 2 – Screw, S.H.C. M10 x 45mm
- 2 – Washer Flat M10
- 2 – Nut Nylock M10
- 2 – Pins
- 4 – Springs
- 4 – Nylon Balls
- 2 – Screws, Set

Application(s) >

- KAWASAKI VULCAN1500D/E/J/N/P 96-08
- KAWASAKI VULCAN1600A/B 03-08
- SUZUKI MARAUDER 1600 2004

Instruction Manual >

06-4945/06-4960/06-4961

Page 1 of 1

Your passenger floorboards will install in just a few minutes using common tools. Read all instructions carefully and completely before installing your new passenger floorboards.

1. Remove your original passenger foot pegs and the clevis.
2. Bolt the supplied floorboard mounts to the motorcycle using the supplied M10 Allen bolt, flat washers, and nylock nuts. Refer to figure 1. **Note:** Floorboards may be loosely assembled for packaging purposes only.
3. To install the floorboards to their mounts, first place a nylon ball onto each of the two holes on the top of the mount. Now insert one spring into each of the two holes, which are drilled into the side of the floorboard itself. A small amount of grease applied to both ends of the springs will help keep them in place.
4. Carefully place the floorboard with springs on top of the nylon balls. With the floorboard in the up position, gently press down on it to compress the springs. With the springs compressed, slide the provided pins through the floorboards and their mounts. Insert the supplied set screw and tighten. Refer to figure 1
5. Check to make sure all the installed hardware is tight.

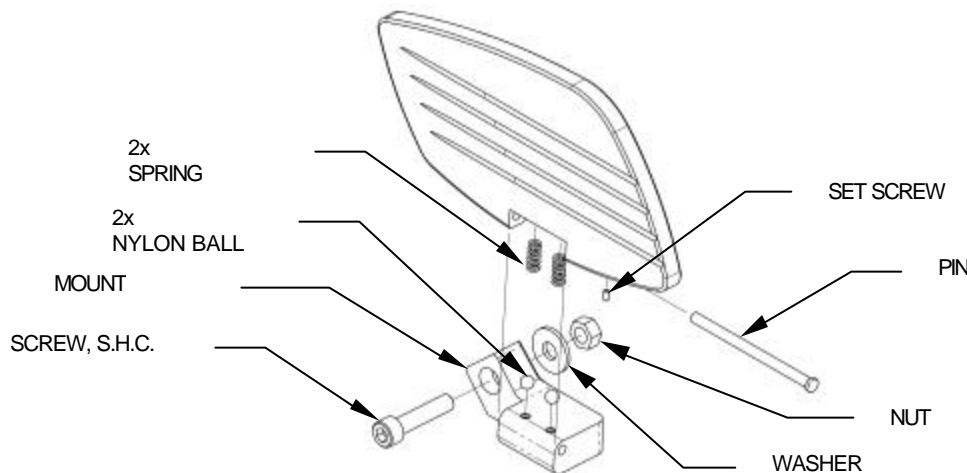


FIGURE 1
(RIGHT SIDE SHOWN LEFT SIDE SIMILIAR)

*** Cobra recommends you always wear a helmet while riding. Please never operate your motorcycle while under the influence of alcohol and/or drugs. Enjoy the new look of your motorcycle and please ride safely.**