

## Items Supplied >

1 – BACKING PLATE  
4 – F.H.C.S. 10-32 x .50  
1 – FRAME

## Application(s) >

HONDA VTX1800N 04-Up

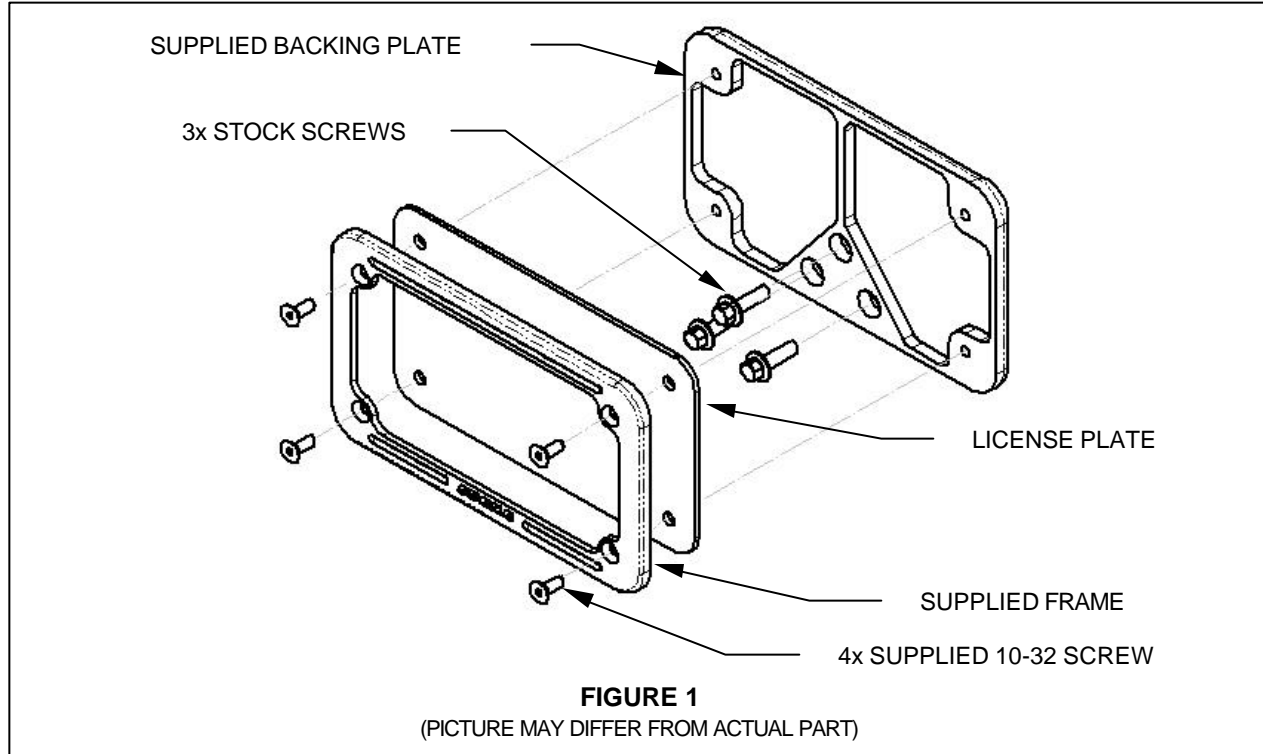
## Instruction Manual >

05-9015

Page 1 of 1

Read all instructions carefully and completely before installing your new License Plate Backing.

1. Remove the stock license plate backing from the mount setting aside the three screws and spacers for reassembly.
2. Bolt the supplied backing plate using the screws and spacers removed in step 1 (see fig 1).
3. Install your license plate and supplied frame using the four supplied 10-32 screws (see fig 1).



\* Cobra recommends you always wear a helmet while riding. Please never operate your motorcycle while under the influence of alcohol and/or drugs. Enjoy the new look of your motorcycle and please ride safely.