

Items Supplied >

- 1 - Sissy Bar w/Pad
- 2 - Mount Brackets
- 2 - Short Spacers
- 2 - Long Spacers
- 2 - M8 x 45mm Buttonhead Bolts
- 2 - M8 x 60mm Buttonhead Bolts
- 4 - M8 x 20mm Buttonhead Bolts

Application(s) >

Yamaha V-Star 950

09-14

Instruction Manual >

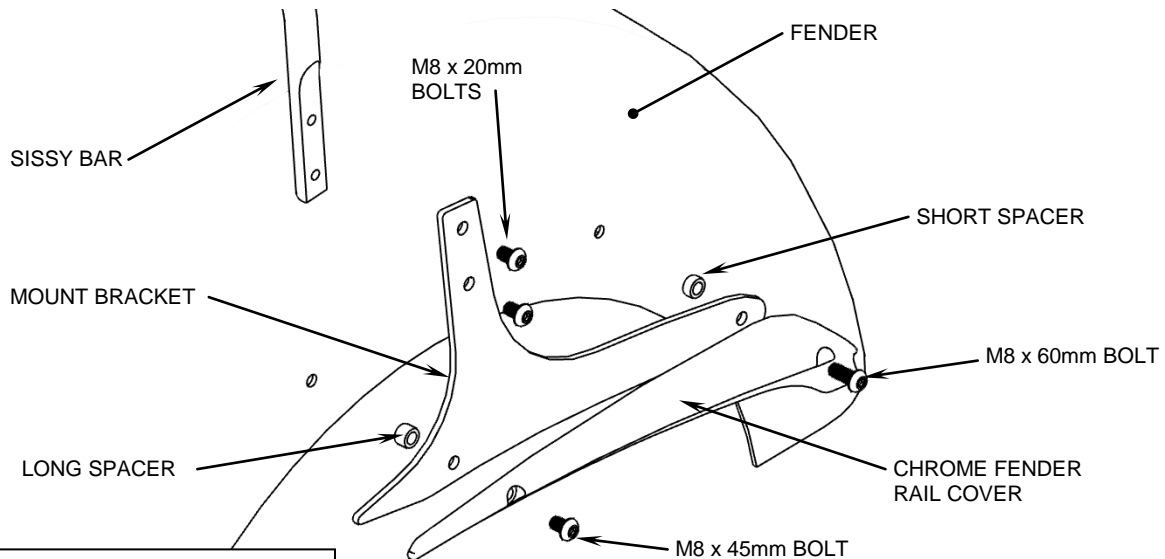
02-7725 / 02-8725

Page 1 of 1

Read all instructions carefully before installing your new Cobra product!

Your sissy bar will install in just a few minutes using common tools.

1. Remove and discard the (2) M8 bolts from the left side fender rail. Remove the chrome fender rail cover. **NOTE:** Remove only one side of fender bolts at a time otherwise fender may fall - resulting in possible scratches or damage to fender/paint.
2. Install left sissy bar mounting bracket (part # facing inward) by inserting the longer supplied M8 x 60mm bolt through the front hole of the stock chrome fender rail cover, sissy bar mount bracket, supplied short spacer, and into the front fender rail. Insert the shorter supplied M8 x 45mm bolt through the rear hole of the stock chrome fender rail cover, sissy bar mount bracket, supplied long spacer and into the fender rail. **DO NOT TIGHTEN AT THIS TIME.**
3. Repeat Steps 1 & 2 on right side.
4. Install the sissy bar between the brackets using the four (4) supplied M8 x 20mm button head bolts.
5. Align sissy bar and tighten (8) M8 bolts. Torque all bolts to their appropriate values.



PICTURE MAY VARY FROM APPLICATION

*** Cobra® recommends you always wear a helmet while riding. Please never operate your motorcycle while under the influence of alcohol and/or drugs. Enjoy the new look of your motorcycle and please ride safely.**