

Items Supplied >

- 1 – FRONT HEADPIPE / HEATSHIELD ASSEMBLY
- 1 – REAR HEADPIPE / HEATSHIELD ASSEMBLY
- 1 – MUFFLER ASSEMBLY
- 1 – EXHAUST MOUNT BRACKET
- 3 – CLAMP, HS-24 HOSE (SMALLER)
- 2 – CLAMP, HS-28 HOSE (LARGER)
- 2 – CLAMP, 27-61 MSC
- 2 – BOLT, 5/16"-18 x 5/8" HEX FLANGE W/ LOCK PATCH
- 2 – BOLT, 3/8"-16 x 3/4" HEX FLANGE W/ LOCK PATCH
- 2 – BOLT, 1/4"-20 x 3/8" BUTTONHEAD
- 1 – SCREW, 3/8"-16 x 2 1/2" S.H.C
- 1 – SPACER, FOOTPEG
- 2 – BILLET EXHAUST TIPS

Application(s) >

HARLEY SOFTAIL

2012-2017

Instruction Manual >

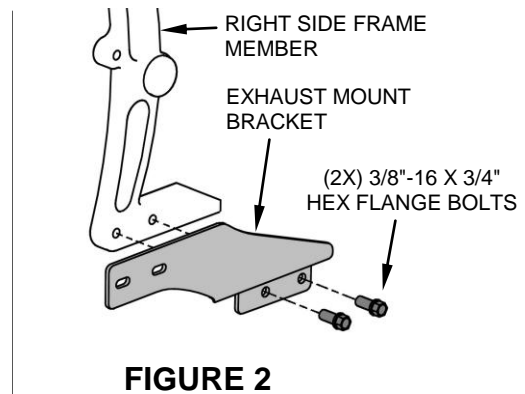
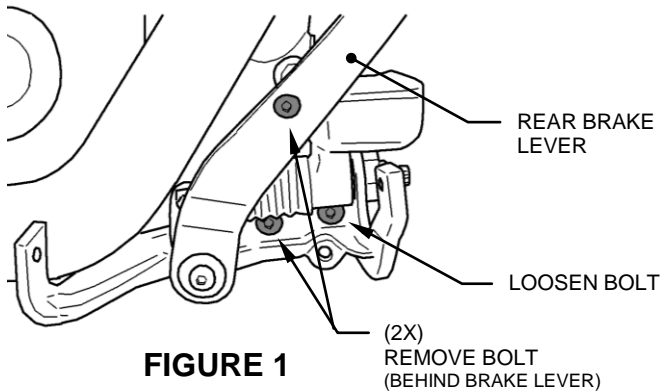
6852

Page 1 of 2

PRIOR TO INSTALLATION, MAKE SURE YOUR STOCK HEADPIPE GASKETS ARE IN GOOD SHAPE. IF YOU HAVE ANY DOUBTS AS TO THEIR CONDITION, REPLACE THEM.

Read all instructions carefully and completely before installing your new exhaust system

1. Unplug O₂ sensors on front and rear headpipes from motorcycle wire harnesses. Remove stock exhaust system. Remove and save the flanges, flange nuts, retaining rings and O₂ sensors from the stock headpipes.
2. On FLSTC, FLSTN, FLSTF, and FLSTFB, remove the right floorboard. Remove the two floorboard mounting bracket bolts leaving the third in place but loosen and rotate mount down out of the way, See Figure 1. This will make installation of exhaust and heatshields possible.
3. Remove the stock exhaust mount bracket. Replace the right side passenger foot peg using the 3/8" x 2 1/2" bolt and the supplied spacer.
4. Install the supplied exhaust mount bracket on the motorcycle using the supplied 3/8" hex bolts, See Figure 2.

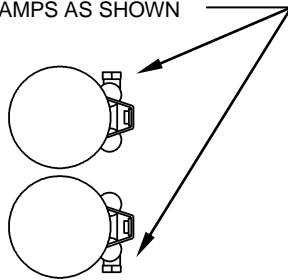


5. Remove the front and rear headpipes from box and install stock flanges, retaining rings and O₂ sensors from Step 1 onto new headpipes.
6. Install the front and rear headpipes onto the motor (with stock gaskets) using stock flange nuts but **DO NOT TIGHTEN**.
7. Remove the muffler assembly from the box and slide a supplied clamp #27-61MSC onto each muffler inlet tube. Refer to Figure 3 for proper alignment.
8. Make sure the headpipes are parallel with each other. Slide the muffler assembly onto the headpipes by tapping on the headpipes with your hand as you push the mufflers forward making sure the assembly slides as far forward as possible. Secure the muffler assembly to the exhaust mount bracket using the supplied 5/16" bolts but **DO NOT TIGHTEN**.

DISCLAIMER: NOT LEGAL FOR SALE OR USE IN CALIFORNIA ON ANY POLLUTION CONTROLLED MOTOR VEHICLE. THE SALE, USE, OR INSTALLATION OF THIS PRODUCT MAY ALSO BE ILLEGAL NATIONWIDE UNDER THE FEDERAL CLEAN AIR ACT (42 U.S.C. § 7522(A)(3)).

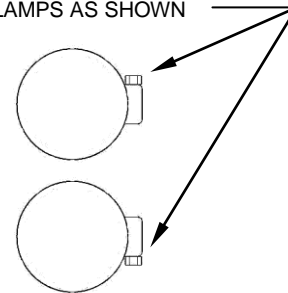
10. Make sure the muffler assembly is parallel to the ground (this is critical) then tighten the following in order; exhaust bracket to the frame, muffler assembly to the exhaust bracket, headpipe flanges to the motor (slowly tighten opposing nuts) and lastly the muffler clamps. (NOTE: If the muffler clamps are slid to far up the muffler or past the slots, the clamps will not tighten properly.)
11. Plug O₂ sensors back into motorcycle wire harness.
12. Unscrew all supplied hose clamps and feed the tail end of the clamp through the clips on the inside of the heatshields; the larger clamps go to the rear of the heatshields where they will rest on the muffler bodies, smaller ones to the front for the headpipes. The screw end of the hose clamp should be accessible for tightening but not visible when heatshields are mounted to the pipes, see Figure 4.
13. To install the front heatshield, first slide the rear portion of the heatshield over the muffler, continue to slowly slide it forward pushing the front of the shield gently into place between the frame and motor (Hint: Spread the hose clamps apart slightly to make it easier to slide them over the muffler assembly and head pipes). Make sure the muffler clamps don't interfere with the heatshields and are aligned as shown in Figure 3. Snug the heatshield clamps but **DO NOT TIGHTEN**.
14. Install the rear heatshield the same way as the front heatshield.
15. Make sure the front and rear heatshields are even on the back with each other. Install one billet tip on each heatshield making sure the angled ends of the tips are parallel with each other. Fasten the tips with the supplied 1/4"-20 bolts making sure they snug up against the heatshield leaving no gap between the tip and heatshield when tightened. **If it is difficult to slide the tips into the heatshields loosen the clamps on the heatshield, failure to do this may cause damage to the chrome tips.**
16. Tighten the clamps on the heatshields.
17. Rotate the floorboard mount back into place and retighten bolts to factory specifications. Reinstall the right floorboard with its original hardware.
18. Make sure all the hardware (brackets, headpipes, heatshields, mufflers and baffles) has been tightened appropriately and cleaned before starting your motorcycle.

ORIENTATE CLAMPS AS SHOWN



FRONT VIEW
FIGURE 3

ORIENTATE CLAMPS AS SHOWN



FRONT VIEW
FIGURE 4

Before starting your engine remove all fingerprints from chrome with a quality wax or chrome polish. Failure to do so can cause discoloration. Due to fluctuations in fuel injection/carburetion settings, timing, etc., Cobra Engineering does not warrant against chrome discoloration.