

Items Supplied >

- 1 – FREEWAYBAR
- 2 – BOLT, BUTTONHEAD 3/8"-16 X 3/4"
- 2 – WASHER, 3/8" FLAT

Application(s) >

HARLEY
SPORTSTER 2004 - 2020

Instruction Manual >

601-2106B

Page 1 of 1

Read all instructions carefully before installing your new Cobra® product!

1. Remove any accessories that may prohibit the installation of your new freeway bar.
2. Remove and retain the (2) 3/8-16 x 1.50" torx motor mounting bolts and washers securing the upper portion of the engine front cylinder to the frame mount. See Figure 1.
3. Position the freeway bar into place between the front frame rails and front tire. Align the slotted holes in the freeway bar's upper mount with the open holes on the frame (refer to Step 2) and insert the (2) removed 3/8"-16 factory torx bolts and washers but **DO NOT TIGHTEN**. See Figure 2. **NOTE:** If your bike has the horn mounted below the upper engine mount, position the freeway bar between the engine mount and horn bracket.
4. Thread the (2) supplied 3/8"-16 x 3/4" buttonhead bolts and 3/8" washers thru the lower freeway bar mount and into the lower frame brace but **DO NOT FULLY TIGHTEN**. See Figure 2.
5. Make sure freeway bar is aligned properly then fully tighten all bolts to factory specifications. Reinstall any removed components and tighten securely.

Cobra Freeway Bars add style to your motorcycle. They are not designed to withstand a serious impact and may not protect you and/or your motorcycle in the event of a crash.

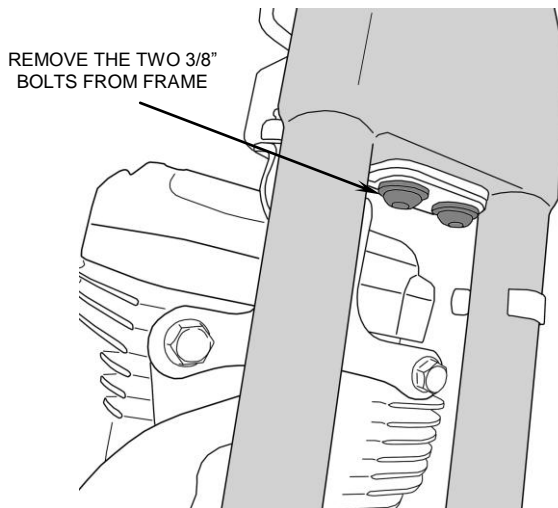


FIGURE 1

CLEANING INSTRUCTIONS:

To clean your black freeway bars use a liquid based soap detergent, such as dishwashing soap applied with a soft cloth and rinse with clean water. **Note: Avoid abrasive cleaning methods such as granular or dry cleansers, simple green, Scotch-Brite or steel wool pads. Abrasives may breach the coating and shorten life.**

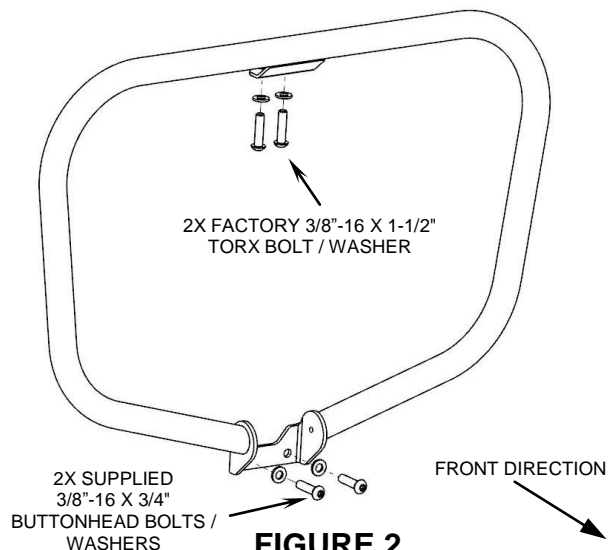


FIGURE 2

***Cobra® recommends you always wear a helmet while riding. Please never operate your motorcycle while under the influence of alcohol and/or drugs. Enjoy the new look of your motorcycle and please ride safely.**