

Items Supplied >

- 1 – Front Headpipe Assy. & Heatshield
- 1 – Rear Headpipe Assy. & Heatshield
- 1 – Muffler Assy. (Megaphone or HP with Tip)
- 1 – Muffler Mounting Bracket
- 5 – Hose Clamp, HS-24
- 1 – Hose Clamp, HS-28
- 2 – Hose Clamp, 27-61MSC
- 1 – Exhaust Flange
- 2 – Flange Bolt, M10-1.25 x 30mm with Loctite
- 2 – Flange Bolt, 5/16 -18 with Loctite

Application(s) >

Yamaha V-Star 1300 2007 - 2014

Instruction Manual >

2425 / 2475

Page 1 of 2

PRIOR TO INSTALLATION, MAKE SURE YOUR STOCK HEADPIPE GASKETS ARE IN GOOD SHAPE. IF YOU HAVE ANY DOUBTS AS TO THEIR CONDITION, REPLACE THEM.

1. Loosen the right floorboard bolts to allow the floorboard to tilt down for easier exhaust removal and installation.
2. Remove cover over the oxygen sensor connector on right side of motorcycle above the exhaust, it is retained by three button head allen bolts. On the female connector pull the tab that faces the male connector outward and slide the male connector out of it to allow the oxygen sensor to be removed with the exhaust assembly. On the female connector depress the tab on the backside of the connector, (pull it inward towards the body of the connector), and slide it off of the steel tab on the frame to allow it to stretch, further down, extending the length of the oxygen sensor for later installation of Cobra exhaust, see Figure 1. NOTE: The Oxygen Sensor will be installed into the Cobra Exhaust, it may be used in combination with a closed loop Fi2000® Fuel Module, Cobra Part Number: 92-1774CL.

NOTE: FEMALE O₂ CONNECTOR WILL NOT RELOCATE IN STOCK TAB LOCATION; IT MUST STRETCH FURTHER DOWN TO MATE WITH COBRA EXHAUST BUNG

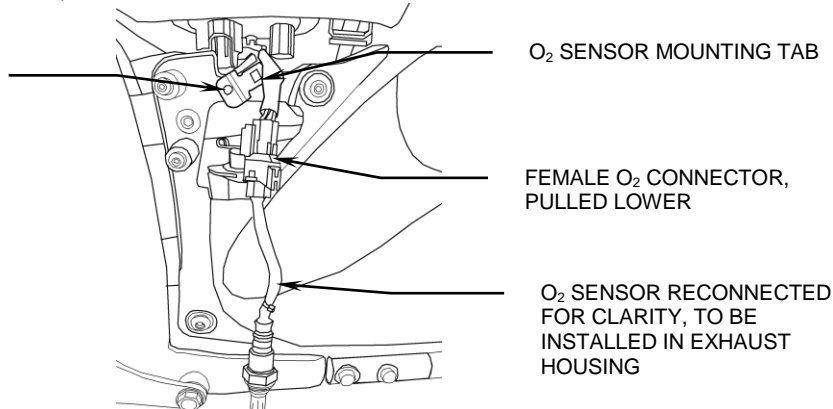


FIGURE 1

3. Remove the acorn nuts securing the stock head pipes, these nuts will be used again later with the Cobra system. Remove the bolts securing the stock exhaust to the stock exhaust-mounting bracket, remove the stock exhaust as well as the stock exhaust-mounting bracket, these components will not be reused. Once the stock exhaust has been removed, remove the oxygen sensor from the stock exhaust and set aside.

California does not allow the use of aftermarket exhaust systems that remove original equipment catalysts, (except for racing use only) unless the Air Resources Board has issued an Executive Order for that system.

*** Cobra® recommends you always wear a helmet while riding. Please never operate your motorcycle while under the influence of alcohol and/or drugs. Enjoy the new look of your motorcycle and please ride safely.**

4. Install the Cobra supplied exhaust bracket using the supplied M10 X 30 mm Flange bolts, **DO NOT TIGHTEN AT THIS TIME**, see Figure 2.
5. Install the supplied exhaust flange over the front headpipe and bolt to cylinder using stock acorn nuts, **DO NOT TIGHTEN AT THIS TIME**.
6. Install the stock O₂ sensor into the oxygen sensor bung on the supplied rear headpipe, tighten it securely. Bolt the rear headpipe and supplied flange to the rear cylinder using the stock hardware.
7. Remove the muffler assembly from the box and slide two supplied 27-61MSC clamps onto the back muffler tubes. Refer to Figure 3 for alignment.

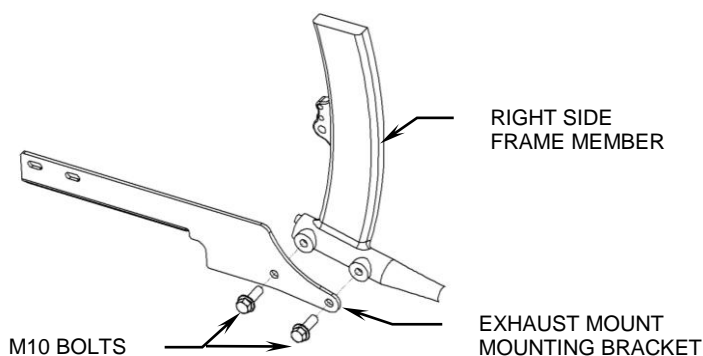


FIGURE 2

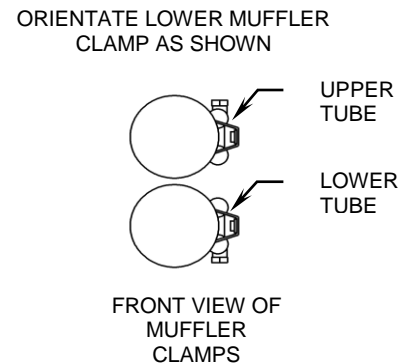


FIGURE 3

8. Slide the muffler assembly onto the head pipes by tapping on the head pipes with your hand as you push the mufflers forward making sure the assembly slides as far forward as possible. Secure the muffler assembly to the mounting bracket using the supplied 5/16-18 bolts but **do not tighten**.
9. Make sure the muffler assembly is properly aligned then tighten the following in order, headpipe flanges to the motor (slowly tighten opposing nut), muffler bracket to the frame, muffler assembly to the muffler bracket, and lower muffler clamp, then recheck that headpipe acorn nuts are tight. (NOTE: If the muffler clamp is slid to far up the muffler or past the three slots, the clamp will not tighten.) Reconnect the O₂ sensor wire to the stock harness, or inline with a closed loop Fi2000®. Reinstall cover over oxygen sensor connector area and 3 allen bolts removed earlier.
10. On the heatshields install the #24 hose clamps by unscrewing them and feeding the tail end of the clamp through the clips on the inside of the heatshields. The screw end of the hose clamp should be accessible for tightening but not visible when the heatshields are mounted to the pipes.
11. Place the heatshields on the headpipes and align at collector, (Hint: Spread the hose clamps apart slightly to make it easier to slide them over the muffler assembly and headpipes.) **DO NOT TIGHTEN** at this time. Feed the tail end of the #28 hose clamp through the collector heatshield and snap into place over the megaphone or HP muffler and heatshields, see Figure 4. Tighten all clamps.
12. Retighten the right floorboard assembly bolts and torque to factory specifications.
13. Make sure all the hardware (brackets, headpipes, heatshields, and mufflers) has been tightened appropriately before starting your motorcycle.

IMPORTANT: It is recommended that a Fi2000® Closed Loop Fuel Module be used with this exhaust system, Cobra Part Number: 92-1774CL. CA use 92-1774CL-50
Before starting your engine remove all fingerprints from chrome with a quality wax or chrome polish.

