

## Items Supplied >

- 1 – SLIP-ON MUFFLER ASSEMBLY
- 1 – CLAMP, #27-59MSC
- 2 – BOLT, M10 x 30mm HEX FLANGE W/ LOCKTITE
- 2 – NUT, M10 FLANGED

## Application >

YAMAHA V-STAR 950 / TOURER 09 - 13

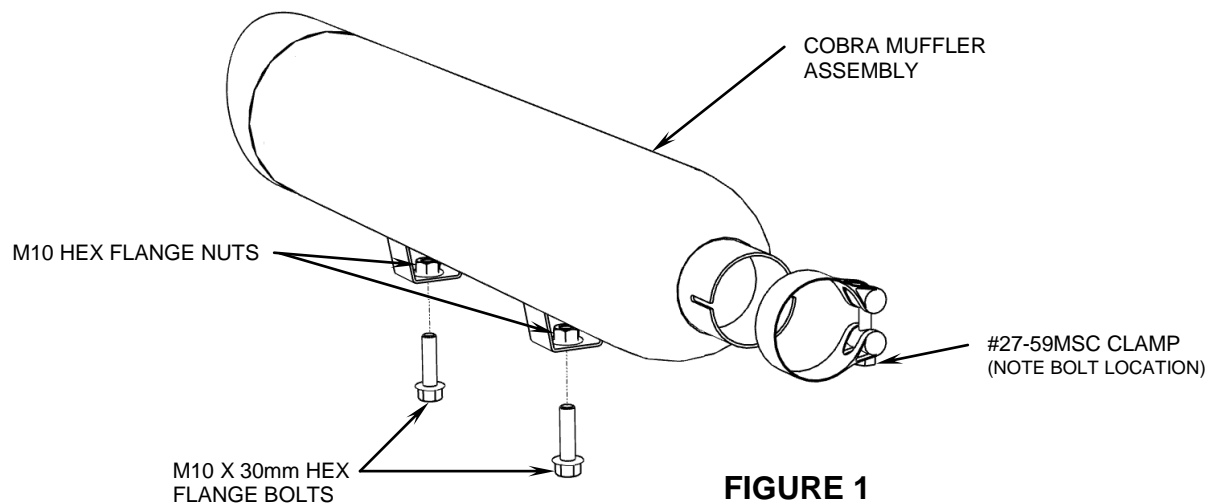
## Instruction Manual >

2215

Page 1 of 1

**Read all instructions carefully and completely before installing your new exhaust system**

1. Remove the stock muffler and discard stock clamp and bolts. Keep stock exhaust mount in place.
2. Place supplied clamp over muffler inlet and begin to push the muffler onto exhaust pipe until muffler bracket holes align with the exhaust mount holes. See Figure 1 below for clamp orientation.
3. Install Cobra muffler to the exhaust mount by inserting the supplied M10 bolts through the bottom of the exhaust mount, through the muffler bracket holes and into the supplied flange nuts. **DO NOT FULLY TIGHTEN.**
4. Check alignment and clearances then fully tighten clamp, followed by supplied bolts and nuts.



**FIGURE 1**

**IMPORTANT:** Before starting your engine remove all fingerprints from chrome with a quality wax or chrome polish. Failure to do so can cause discoloration. Due to fluctuations in carburetor settings, timing, etc., Cobra Engineering does not warrant against chrome discoloration.

California does not allow the use of aftermarket exhaust systems that remove original equipment catalysts, (except for racing use only) unless the Air Resources Board has issued an Executive Order for that system.

\* Cobra® recommends you always wear a helmet while riding. Please never operate your motorcycle while under the influence of alcohol and/or drugs. Enjoy the new look of your motorcycle and please ride safely.