

Items Supplied >

- 1 - INTAKE COVER
- 1 - VENTURI AIR FILTER
- 1 - INTAKE SCREEN ASSEMBLY
- 1 - BILLET VELOCITY STACK
- 1 - MOUNTING PLATE
- 1 - RUBBER INTAKE BOOT
- 1 - SUPPORT BRACKET
- 3 - BOLT, 1/4"-20 X 5/8", HEX FLANGE
- 2 - BOLT, 1/4"-20 X 5/8", BUTTONHEAD W/ LOCK PATCH
- 1 - BOLT, 1/4"-20 X 1/2", BUTTONHEAD
- 2 - BOLT, M6 X 20mm, BUTTONHEAD
- 2 - LOCK WASHER, 1/4" TOOTHED
- 2 - SPACER, ALUMINUM

Application(s) >

- | | |
|-------------------|-----------|
| HONDA PHANTOM 750 | 2010-2019 |
| HONDA AERO 750 | 2011-2016 |
| HONDA SPIRIT 750 | 2012-2014 |

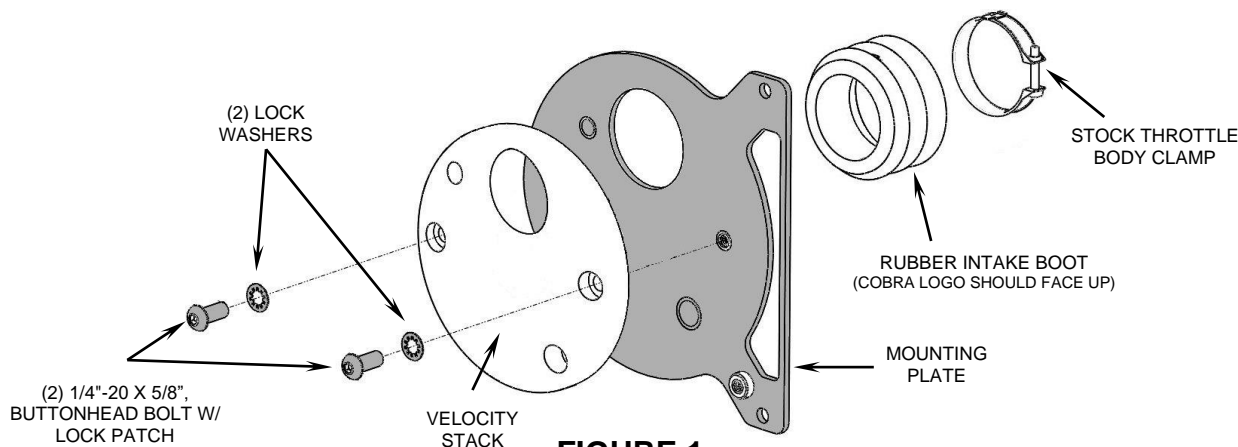
Instruction Manual >

06-0119-SB

Page 1 of 2

Read all instructions carefully and completely before installing your new POWRFLO™ Intake.

1. Remove the seat. Remove the hex bolt at the rear of the fuel tank. Prop the rear of the fuel tank up 2 - 3 inches with a block of wood to allow access to intake. Do **NOT** remove gas lines and be careful not to scratch or drop tank, assistance may be needed.
2. Remove the (2) bolts that secure the stock air cleaner to the cylinder heads; these bolts and the bushings will not be reused.
3. On the backside of the air cleaner detach the two rubber hoses by squeezing the hose clamps with a pair of pliers and sliding them past the hose inlets.
4. Loosen the throttle body hose clamp on the backside of the air cleaner. Have an assistant pull the front of the fuel tank off the front mounts and raise up just enough to allow intake snorkel clearance to be removed. Remove the air cleaner by pulling the rubber boot off the throttle body. Carefully rotate the air cleaner outwards from the bottom to disengage the intake snorkel that resides under the fuel tank. Reinstall fuel tank on front mounts, but leave propped up at rear.
5. Using the (2) supplied 1/4"-20 X 5/8" buttonhead bolts and lock washers, assemble the velocity stack, mounting plate and rubber intake boot in the order shown in Figure 1. NOTE: The rubber boot lip needs to be sandwiched between the velocity stack and the mounting plate.
6. Remove the throttle body hose clamp from stock boot and slide it onto the supplied rubber intake boot; position it as shown in Figure 1.



DISCLAIMER: NOT LEGAL FOR SALE OR USE IN CALIFORNIA ON ANY POLLUTION CONTROLLED MOTOR VEHICLE. THE SALE, USE, OR INSTALLATION OF THIS PRODUCT MAY ALSO BE ILLEGAL NATIONWIDE UNDER THE FEDERAL CLEAN AIR ACT (42 U.S.C. § 7522(A)(3)).

DOCUMENT NO. 0017 REV. A

07/22

7. Attach the support bracket to the backside of the mounting plate using the (1) supplied 1/4"-20 X 1/2" buttonhead bolt, but **do not** fully tighten at this time. See Figure 2, for orientation.
8. The mounting plate assembly is ready to be attached to the motorcycle. Attach the hoses and hose clamps that were disconnected in Step 3, to the inlet tubes on the mounting plate. Install the rubber boot over the throttle body but leave the clamp loose for now.
9. Align the holes in the support bracket with threaded holes in the cylinder heads, then insert the (2) supplied M6 x 20mm buttonhead bolts through the support bracket, supplied spacers and into the cylinder heads. See Figure 2.
10. Align and level the mounting plate assembly so the air cleaner will sit straight, then fully tighten the clamp over the throttle body, then the bolt that secures the support bracket to the mounting plate, followed by the M6 bolts in the cylinders.
11. Place the supplied venturi filter onto the velocity stack.
12. Remove the intake cover from the box and insert the intake screen into place so the holes in the bent tabs align with the threaded bosses in the intake cover.
13. Place intake cover over the mounting plate assembly and align the mounting holes to the threaded bosses. Insert the (3) supplied 1/4"-20 x 5/8" flange bolts and tighten the mounting plate to the intake cover. See Figure 3.
14. Lower the fuel tank back into place and secure with original bolt and washer install seat and secure properly.

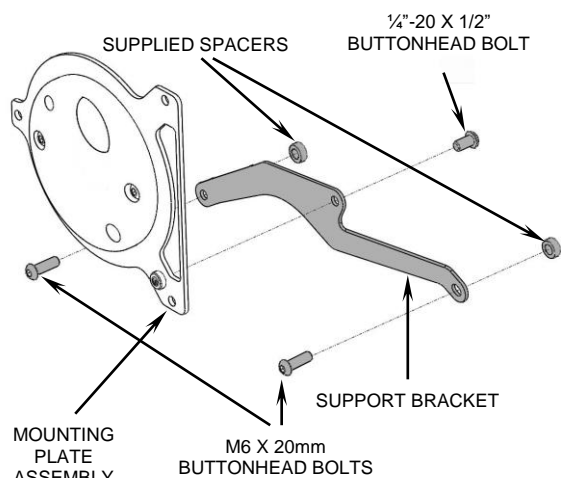


FIGURE 2

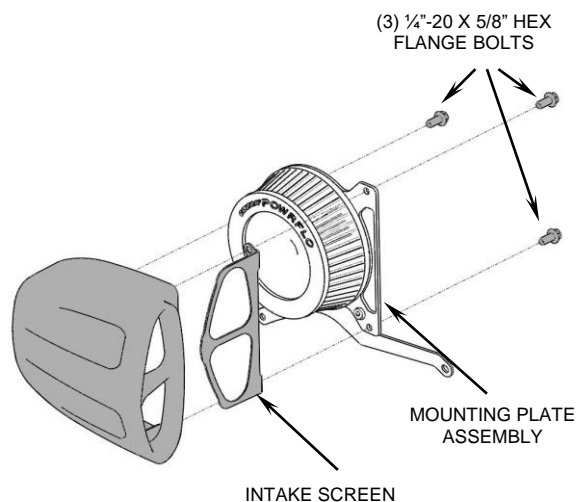


FIGURE 3

CALIFORNIA CUSTOMERS:

In California, aftermarket parts that have been identified specifically as replacement parts or that have received an Air Resources Board Executive Order may be used on street motorcycles. All other emissions related aftermarket parts are for competition use only. A list of replacement parts and EO parts, and corresponding fitment is provided at: www.cobrausa.com