

Items Supplied >

- 1 - Sissy Bar w/Pad
- 2 - Side Brackets
- 4 - Spacers
- 2 - Short M8 x 40 mm Button Head Bolts
- 2 - Long M8 x 45 mm Button Head Bolts
- 4 - 8mm x 20mm Button Head Bolts

Application(s) >

Yamaha V-Star 1300 07-14

Instruction Manual >

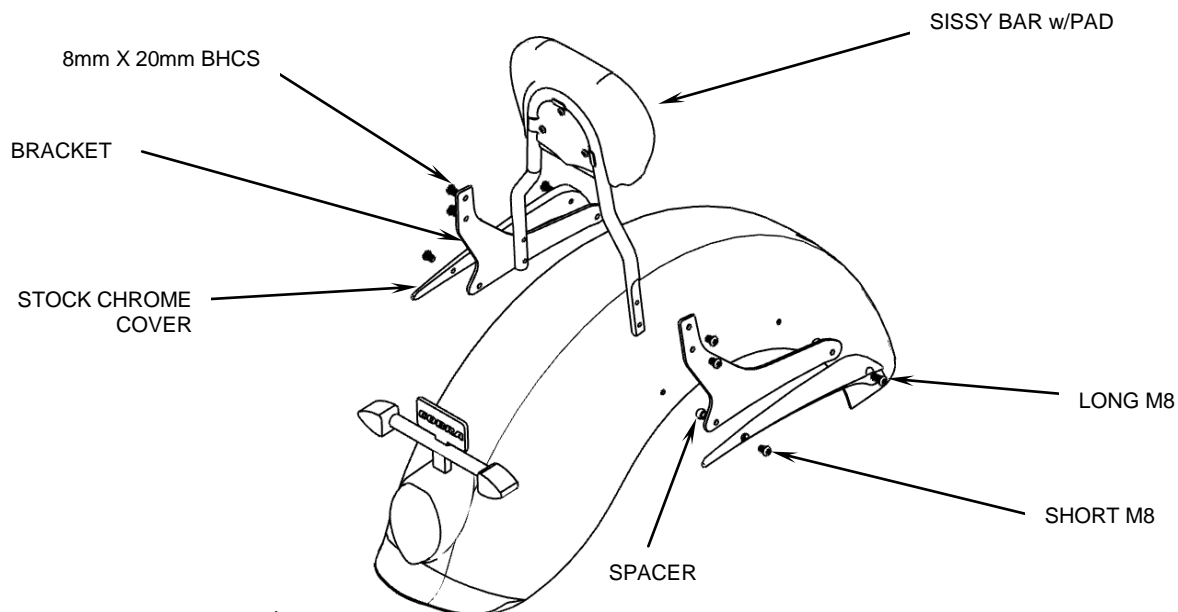
02-7745 / 02-8745

Page 1 of 1

Read all instructions carefully before installing your new Cobra product!

Your sissy bar will install in just a few minutes using common tools. Read all instructions carefully and completely before installing your new sissy bar.

1. Remove and discard the (2) M8 bolts from the left side fender rail. Remove the chrome fender rail cover. Install left sissy bar mounting bracket (*part # should face inward*) by inserting the supplied M8 x 45 mm bolt through the front hole of the stock chrome cover, sissy bar mount bracket, supplied spacer, and into the front fender rail. Insert the supplied M8 x 40 mm bolt through the rear hole of the stock chrome cover, sissy bar mount bracket, supplied spacer and into the fender rail (**Do Not Tighten**). Repeat procedure on right side.
2. Install the sissy bar between the brackets using the four (4) supplied 8mm x 20mm button head bolts.
3. Align sissy bar and tighten all hardware. Torque all bolts to their appropriate values.



* Cobra® recommends you always wear a helmet while riding. Please never operate your motorcycle while under the influence of alcohol and/or drugs. Enjoy the new look of your motorcycle and please ride safely.